

Title of Invention:

“A Flying Disc That Dynamically Changes As It Flies”

Drawing Description

Fig.1: is a perspective view of one embodiment of the invention10 showing a method of transferring fluid 18 from the central fluid filled cavity16 through a series of holes 20 into the outer rim cavity 22 while the disc 12 is in flight.

Fig.2: is a cross section view taken along lines 2-2 of Fig-1.

Fig.3: is a perspective view of an alternate embodiment of the invention10 showing a method of transferring fluid 18 from the central fluid filled cavity16 through a series of channels 26 into the outer rim cavity 22 while the disc 12 is in flight.

Fig.4: is a cross section view taken along lines 4-4 of Fig-3.

Description List

10: is the overall invention.

12: is the disc.

12a: is the rim of the disc 12.

14: is the bottom of the disc 12.

16: is the central fluid filled cavity.

18: is the fluid.

18a: is the fluid being transferred.

20: are the holes in the outer walls of the central fluid filled cavity 16.

22: is the outer rim cavity of the disc 12.

24: are the recess grooves.

26: are the fluid channels.

28: is the fluid fill port.

FIG. 1

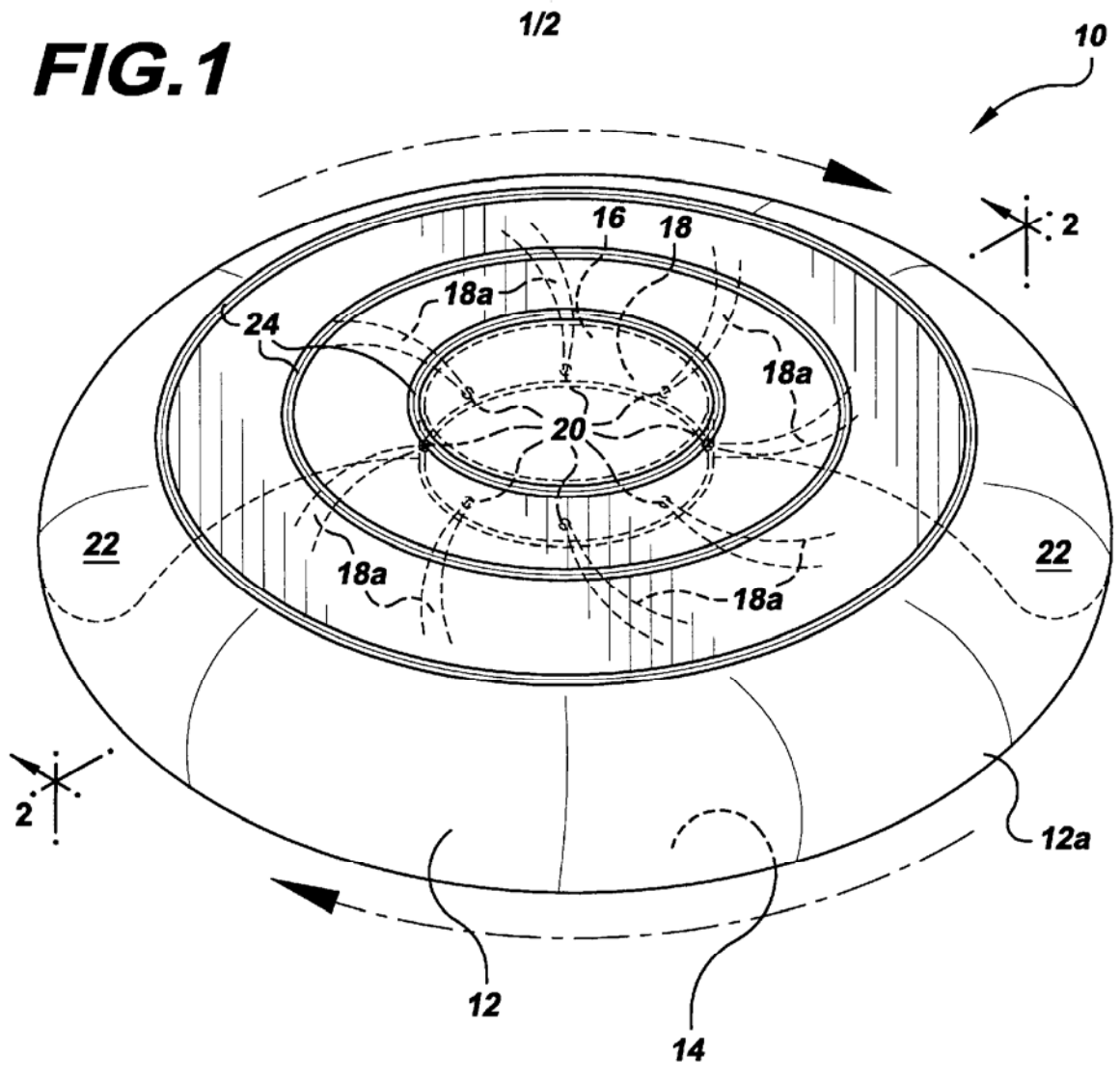


FIG. 2

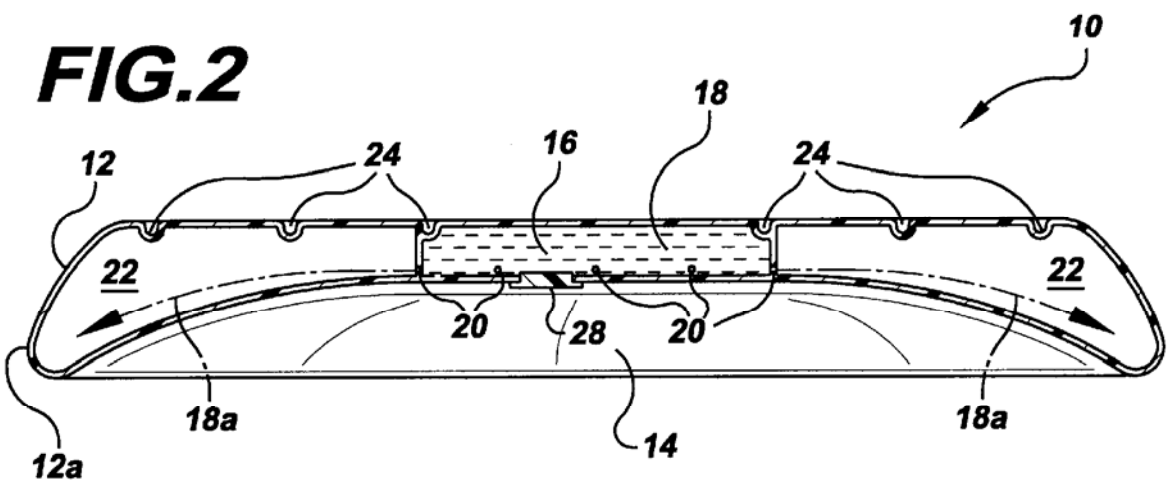


FIG.3

2/2

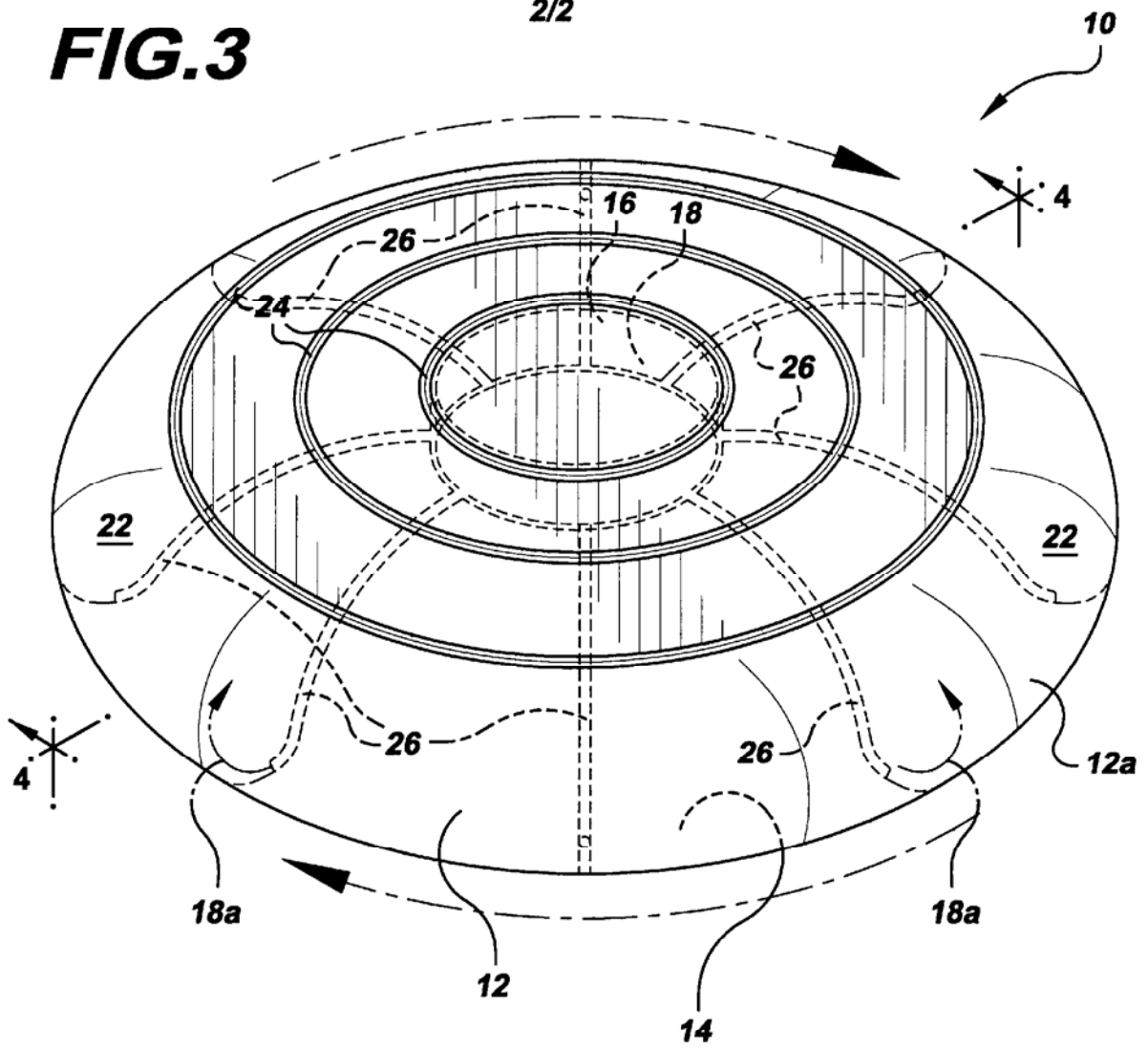


FIG.4

